



**SANDAR**  
INDUSTRIES, INC.



SANDAR INDUSTRIES INTRODUCES  
**THE TUSA<sup>®</sup> 7 GENESIS**  
YOUR TURN-UP SYSTEM FOR LIFE

**CONFIGURE** to your production, budgetary, and automation needs. As your needs change, **UPGRADE** and **SERVICE WITH EASE** – all with **NO-DOWNTIME**.

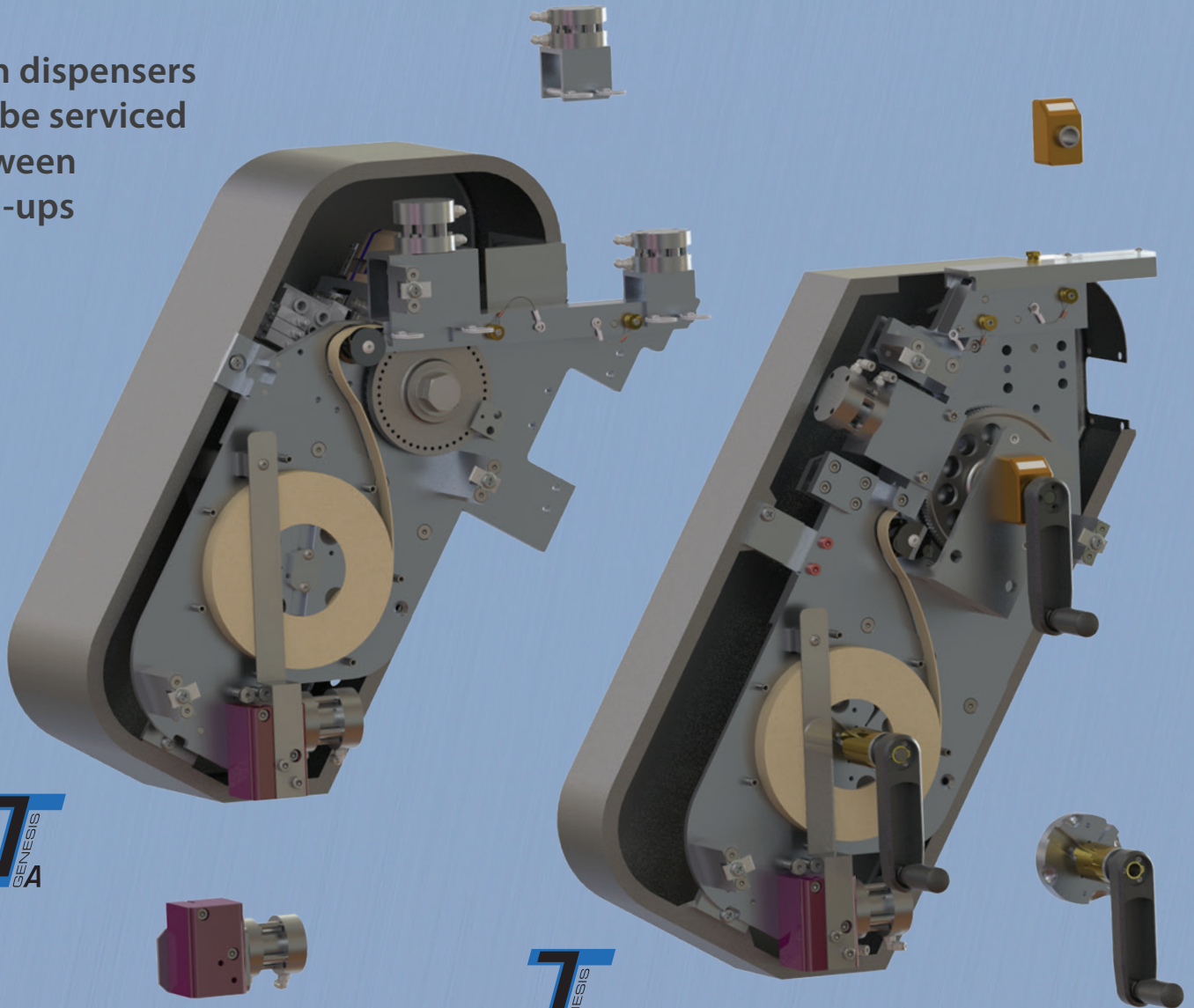
Furthering SANDAR's mission to **MAXIMIZE** your **PROFIT**, The T7 GENESIS can **INCREASE PRODUCTION**, **LOWER COST** per turn-up, and **TARGET ZERO MISSED TURN-UPS**.

A new dawn and a tribute to the inventor, the T7 GENESIS offers the latest in turn-up technology and holds true to our **Pure & Simple™** design philosophy.

# THE TUSA® 7 GENESIS

A REVOLUTION IN RELIABLE TURN-UP TECHNOLOGY

Both dispensers  
can be serviced  
between  
turn-ups



**T**  
GENESIS  
**A**

**T**  
GENESIS  
**M**

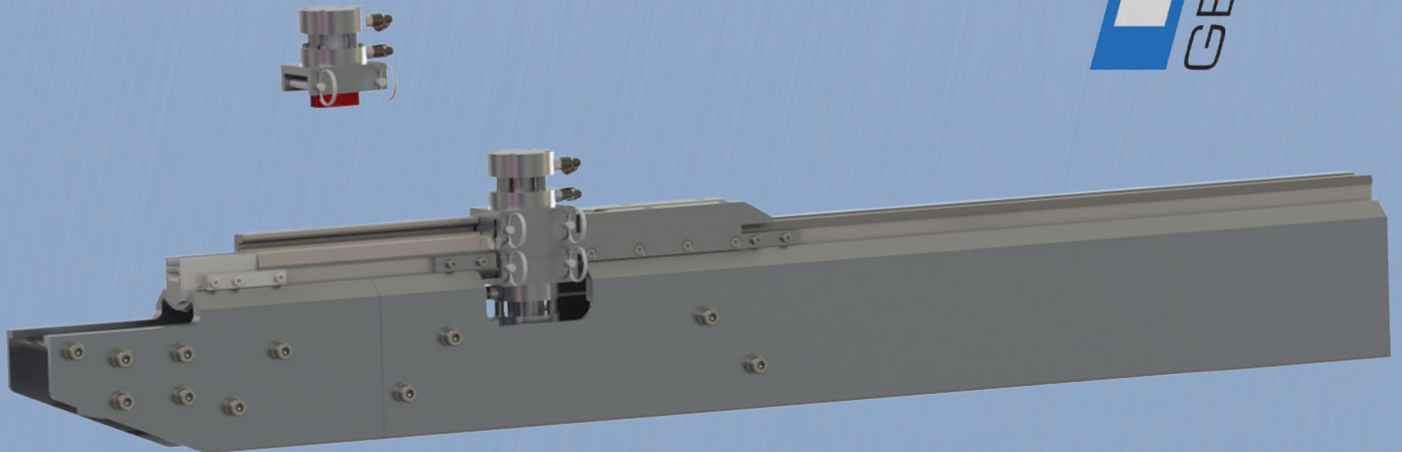
T7 Dispensers are available regionally for fast delivery and easy exchange or upgrade with no downtime

Certified to multiple National standards for operator safety and electrical compatibility

Subassemblies are interchangeable between Automated and Back-up dispensers; reducing spare parts required.



# CONFIGURE UPGRADE SERVICE

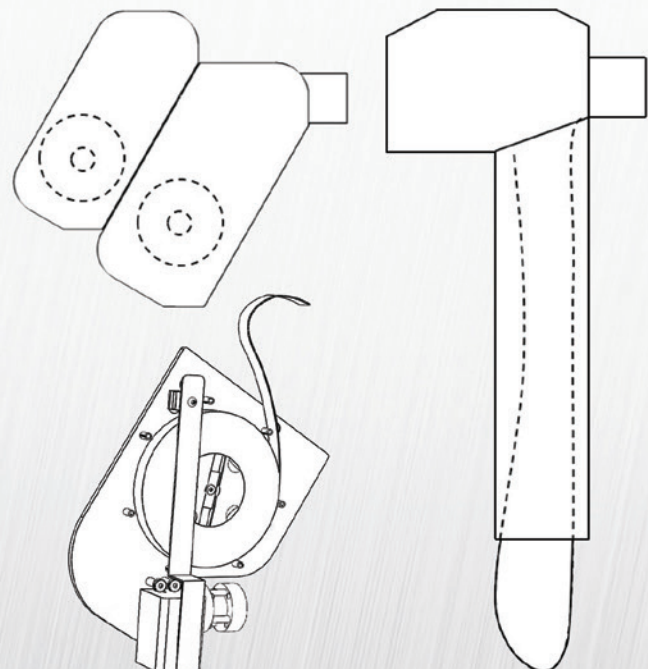


No moving parts underneath the web or near the nip.

SANDAR's innovative use of QRPs (quick release pins) secures many subassemblies, further simplifying field service.

## BAND UNI-CHARGER

- Patented "Loop-less" design
- De-curles, re-aligns, and protects band
- Uni-directional unwind provides for smooth and controlled band delivery during turn-up
- Eliminates the shortcomings and speed limitations of traditional "loop" design



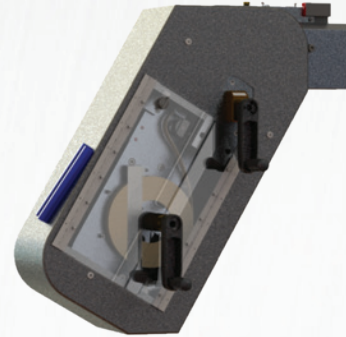
# DISPENSERS

TUSA® 7 Dispensers are totally enclosed with stainless steel covers, easy to operate, low maintenance, and require minimal spare parts. Choose from 13 different dispenser configurations and options to satisfy your production requirements and budget.

## T7M

BASE MODEL / BACK-UP

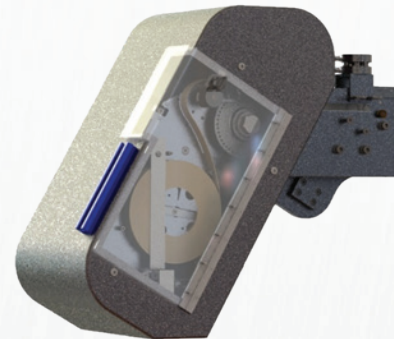
- Minimal capital investment
- Turn-up is automated
- Upgrade to T7AM by adding T7A



## T7A

AUTOMATIC

- Both load sequence and turn-up is automated
- Most compact automated turn-up system available
- Utilizes only one DC motor
- Upgrade to T7AM by adding T7M



## T7AM

AUTOMATIC WITH BACK-UP

- Target zero missed turn-ups when combined with EASYFLO Over and Under
- Minimal spare parts inventory – Sub assemblies are interchangeable between units
- Totally independent units
- Most compact redundant system on the market



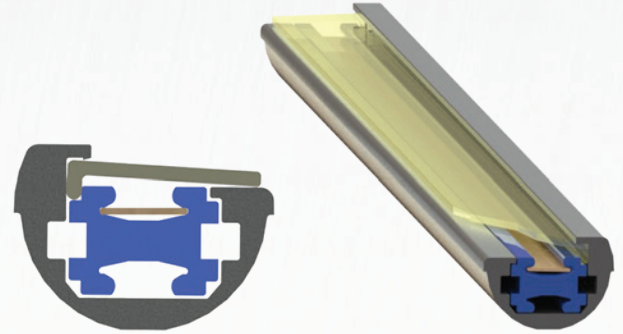


# BAND DELIVERY SYSTEMS

SANDAR Band Delivery systems are designed for accurate delivery into the nip and tension control on the paperband during turn-up with no moving parts. All Sandar paperband delivery systems feature a replaceable polyurethane track cover that keeps out sprayed coatings and debris, and assists with smooth, predictable pull-out for consistent turn-ups.

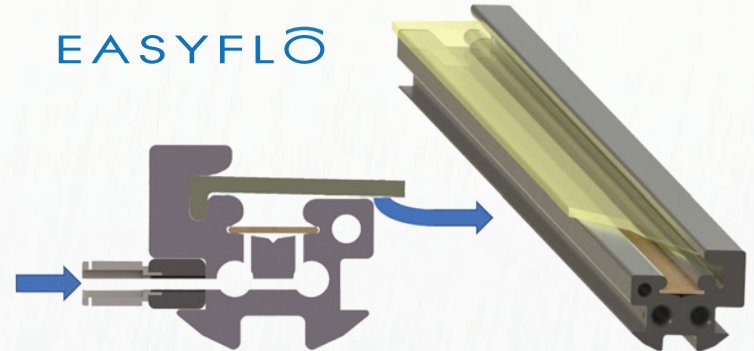
## STANDARD DUAL PROFILE

- HMW Polyurethane
- Single guideway
- Reversible for double the life



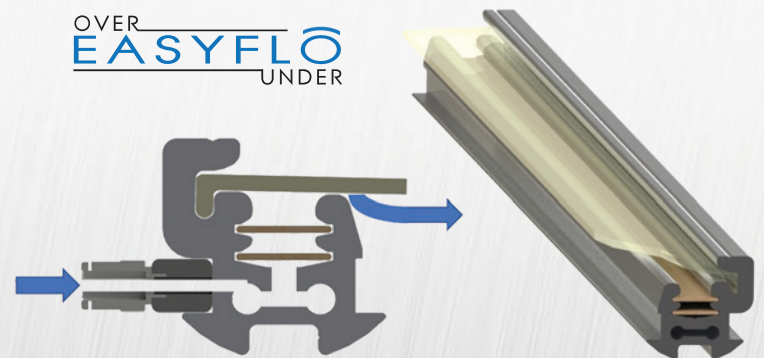
## EASYFLO

- Hard anodized extruded aluminum offers highest wear and corrosion resistance
- Single guideway
- Pressurized to keep out moisture, steam and debris
- Paperband floats on air
- Conditional lifetime guarantee



## EASYFLO OVER UNDER

- Hard anodized extruded aluminum offers highest wear and corrosion resistance
- 2 guideways (primary and back-up) for instant recovery when combined with T7AM
- Pressurized to keep out moisture, steam and debris
- Back-up band shares optimized injection point and track position
- Paperband floats on air
- Conditional lifetime guarantee



# PAPERBAND

## Engineered for performance.

- Made from 100% Virgin Fiber for unmatched strength and reliability
- Available in bleached and unbleached
- Formulated to meet your specific repulpability needs
- Lowest profile and highest post nip compressibility minimizes sheet markings

	Extra Strength	Extra Density	Markless	Super Markless
Caliper	1.25mm	1.25mm	0.89mm	0.64mm
Post Nip Compression	-31% / 0.86mm	-28% / 0.9mm	-19% / 0.72mm	-15% / 0.54mm

Choose from a variety of packaging styles to suit your particular installation and storage conditions. All paperband is packed and sealed to prevent environmental contamination. SANDAR paperband is compatible with nearly every installed band turn-up system.

### STANDARD LEVEL WOUND

Universal dimension fits most paperband dispensers



### BIG O ROLL

50% More than standard roll



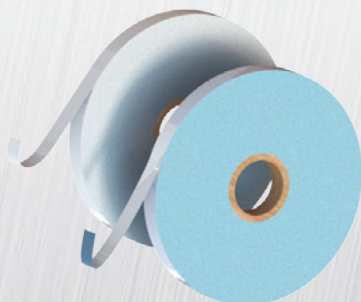
### LINEAL UNIBAND

Independently supplies T7A and T7M from same paperband dispenser



# PRESSURE SENSITIVE ADHESIVE TAPE (PSAT)

Available in Repulpable or Non-Repulpable



Hand held applicator provides for over 500 turn-ups



# TUSA® 7 FEATURES THAT MAXIMIZE YOUR PROFIT

## **Our Patented Modularity is the key to:**

### IMPROVED MAINTENANCE AND TROUBLE-FREE SERVICE

- Simplified, and supported by inventories of spares maintained at regional depots
- Easily change a single subassembly or entire dispenser unit between turn-ups

### UNPRECEDENTED CONFIGURABILITY

- Customize your T7 to suit your reel, basis weights, and speeds
- Choose your level of automation
- Choose enhancements to reduce operator involvement and increase repeatability
- Adjust parameters through the Operator Interface Terminal, or integrate with mill controls via Ethernet cable
- Adaptable to virtually any environment

### TARGETING ZERO MISSED TURN-UPS WITH AN INDEPENDENT BACK-UP:

- Does not share components, utilities, or operations with the primary dispenser
- Always ready for turn-up providing instant recovery by push of a button or automatically when integrated with camera system
- Neither unit is affected by service operations on the other dispenser
- Back-up unit remains in place and operational even if the automated unit is removed

### UPGRADEABILITY, TO ADAPT TO YOUR CHANGING NEEDS:

- Add features and enhancements without buying a new system
- Install features between turn-ups
- The program is fully functional – simply enable features when you add them

## **Our Band Uni-Charger (patented “Loop-less” design) reduces missed turn-ups and minimizes paperband consumption:**

- Conditions the paperband for effortless loads and feeds through the track and curve
- Compact to accommodate even the tightest of spaces
- Eliminates the traditional loop box for smoother feed into the nip, overcoming speed limitations
- Eliminates long loops outside the dispenser unit to improve operator safety and prevent snags on adjacent equipment
- Paperband is protected from the environment
- Controls the paperband with unmatched precision

## **Our technology reduces paperband consumption by:**

- Locating the brake near the edge of the web, instead of in the dispenser, requiring shorter length of paperband
- Activating the brake as soon as the paperband enters the nip with our Nip Acquisition Detection Algorithm (NADA) instead of relying on an unrelated signal or sequence
- Precision band length loaded in Band Uni-Charger based on production grade and speed input



## SANDAR SERVICE

With our ever increasing installation base around the world, our service team is 12 strong and growing with over 100 years of combined experience.

### **24/7**

Service is available around the clock 365 days per year +1 (800) TURN-UP1 / 1 (800) 887-6871.

### **TUSA 7 EXCHANGE PROGRAMS**

Regional Depots with TUSA 7 dispensers allow for quick and easy exchanges of units. Exchange of parts and units can be performed by mill personnel, or a qualified local representative is available for assistance if desired. SANDAR Paperband and PSAT customers are eligible for discounted service exchange programs to further reduce your cost of maintenance.

### **SANDAR SCHEDULED SERVICE**

SANDAR Field Service Technicians make periodic visits to your area. SANDAR Paperband and PSAT customers are eligible for this service either at a discount or No-Charge.

### **SANDAR ON-DEMAND SERVICE**

In most countries and regions, a SANDAR Field Service Technician can arrive at your mill within 24 hours of a service request. Paperband and PSAT customers are eligible for this service at discounted rates.

## COMPANY HISTORY



**The Pioneer is Still the Leader**

Making history 35 years ago with the first Turn-Up System of its kind, SANDAR revolutionized the reel section with a safer and more cost effective technology that has saved over 7 Billion Dollars for its paper making partners worldwide.

As reels advance in size, speed, and automation, SANDAR technology evolves to meet the demands of today's most challenging applications. Engineering pure and simple solutions is the key to our ongoing success and reputation for unmatched reliability.

## CONTACT INFORMATION

**SANDAR Industries, Inc.**

P.O. Box 330106  
Atlantic Beach, FL 32233  
U.S.A.

+1 (904) 246-4309  
customerservice@sandar.com  
sandar.com